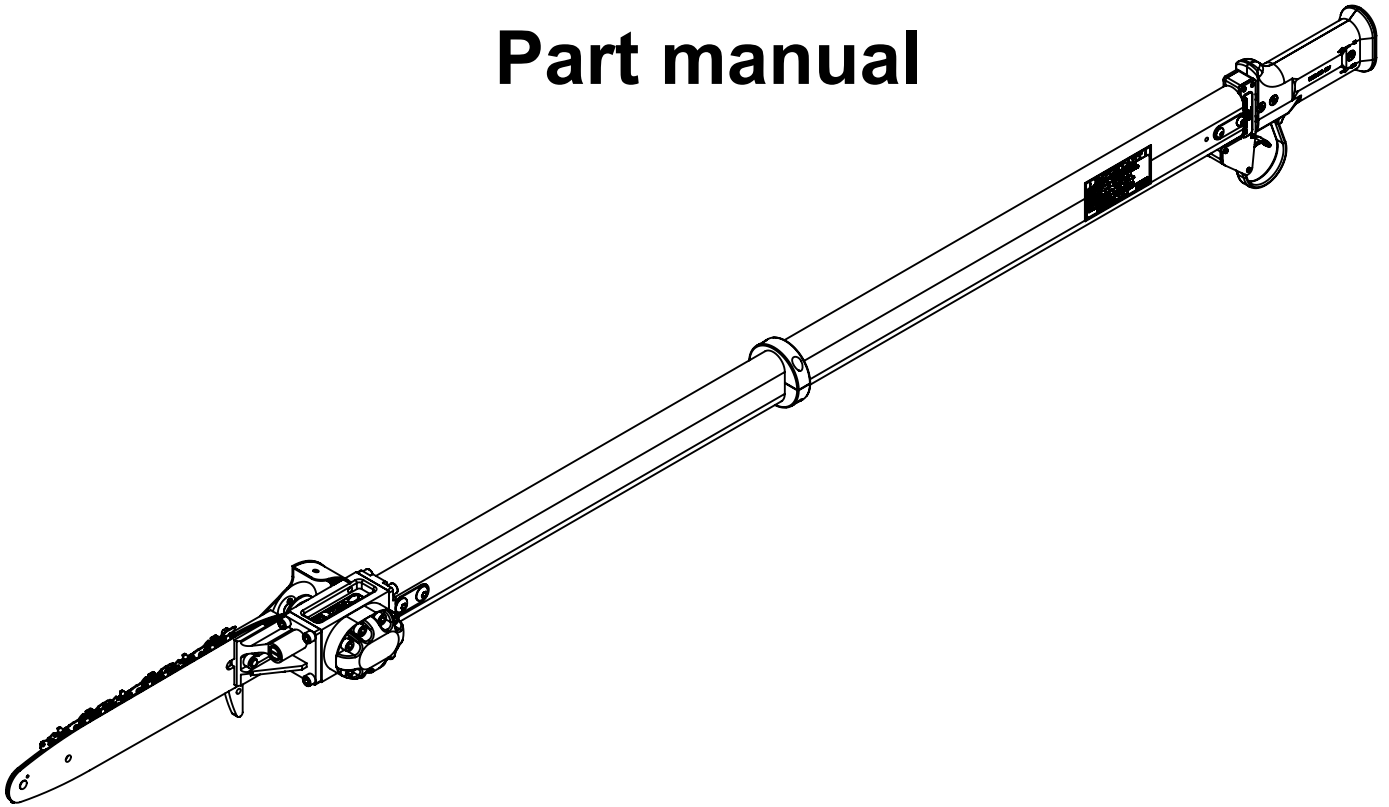




Hydraulic powered saw models ACS

Part manual



Specifications

Max. pressure2000p.s.i(130 bar)

Flow range.....4 - 8 G.P.M (16-30 L.P.M)

Hose size3/8" - I.D min

Inlet port9/16" JIC

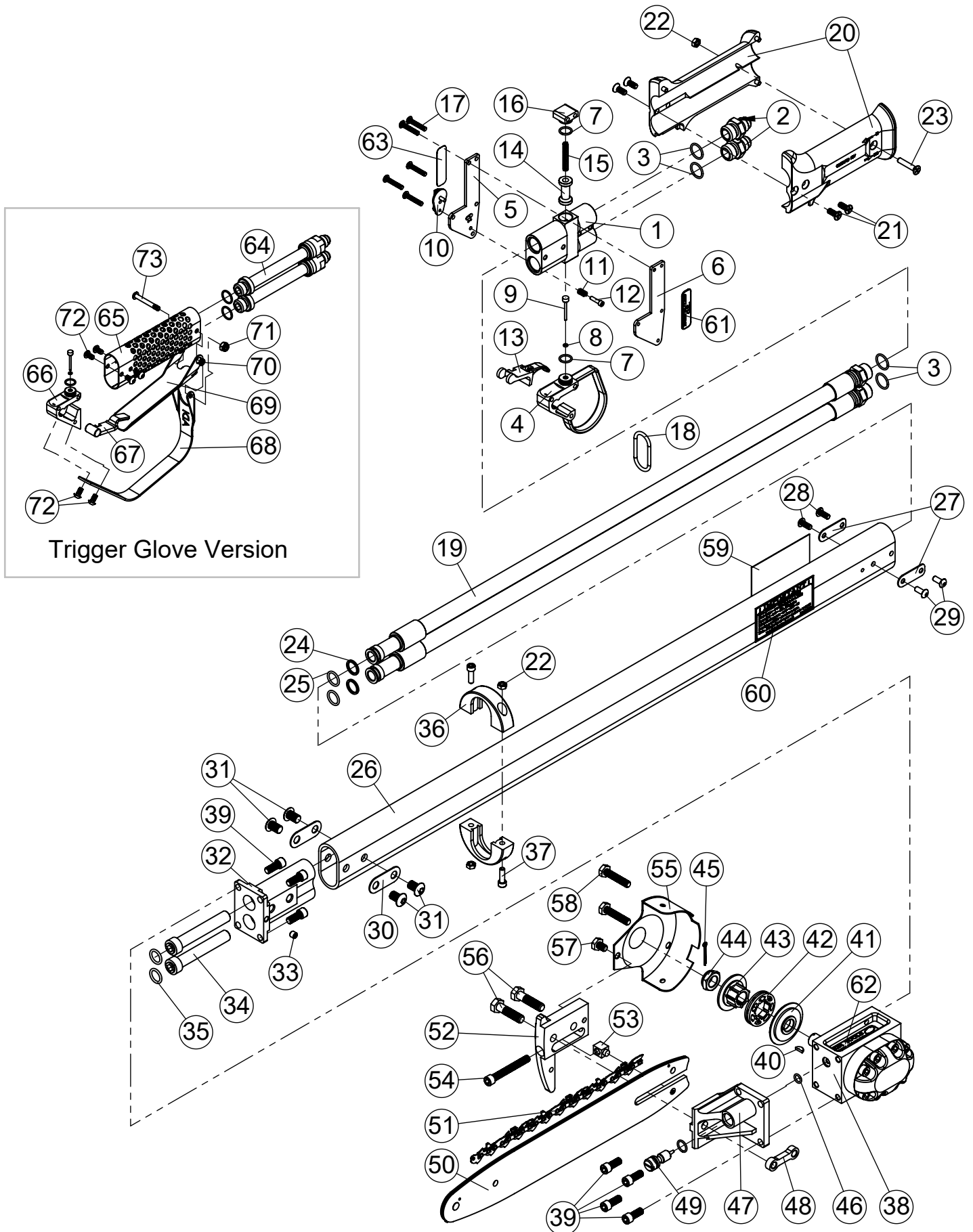
Outlet port9/16" JIC

Foreign particles ...10 micron max.

Safety!

**We urge you to read and understand all the safety instructions
in the operation and service manual before servicing the tool**

Model ACS Schematic



Trigger Glove Version

Model ACS

Part list

NO.	PART NUMBER	DESCRIPTION	QTY.
1	00650010	Housing	1
2	00644037	Connector	2
3	00640062	"O"-Ring	4
4	00640230	Trigger guard (Finger Version)	1
5	00640122	Trigger guard plate (Right)	1
6	00640121	Trigger guard plate (Left)	1
7	00640069	"O"-Ring	3
8	00640068	"O"-Ring	1
9	00640049	Pin	1
10	00640026	Lock	1
11	00640036	Spring	1
12	00640006	Screw	1
13	00640096	Trigger (Finger Version)	1
14	00640050	Spool	1
15	00640035	Spring	1
16	00640120	Spool Cap	1
17	00640094	Screw	5
18	00650051	"O"-Ring 2-219 (32.92 x 3.53)	1
19	00650032	Hydraulic Tube (ACS 50)	2
	00650033	Hydraulic Tube (ACS 60)	2
	00650034	Hydraulic Tube (ACS 70)	2
	00650035	Hydraulic Tube (ACS 80)	2
20	00640090	Ultramid Handle	1
21	00640007	Screw 3/16"NC x 1/2"	4
22	00640008	Nut 3/16"NC	3
23	00640009	Screw 3/16"NC x 1"	1
24	00650052	Back Up 8-014 (12.42 x 1.78)	2
25	00650053	"O"-Ring 8-014 (12.42 x 1.78)	2
26	00650036	Fiberglass Extension Tube(ACS 50)	1
	00650037	Fiberglass Extension Tube(ACS 60)	1
	00650038	Fiberglass Extension Tube(ACS 70)	1
	00650039	Fiberglass Extension Tube(ACS 80)	1
27	00650040	Tightening Plate	2
28	00650054	Screw 3/16"NC x 1/2"	2
29	00650054	Screw 3/16"NC x 1/2"	2
30	00650041	Tightening Plate	2
31	00650055	Screw 5/16NF x 1/2"	4
32	00650013	Front Hose Connector	1
33	00640040	Open/Close Center Plug (M6x1x6)	1

Model ACS

Part list (continue)

NO.	PART NUMBER	DESCRIPTION	QTY.
34	00650023	Tension screw	2
35	00650057	"O"-Ring 2-111 (10.77 x 2.62)	2
36	00650065	Hand Stop Safety Collar	1
37	00650071	Screw 3/16"NC x 5/8"	2
38	00650225	Saw Motor Assembly	1
39	00650056	Screw 1/4"NC x 5/8"	8
40	00650249	Key	1
41	00650229	Sprocket Support	1
42	00650246	Sprocket	1
43	00650245	Axis of chain rotation	1
44	00650061	Lock Nut 1/2"NF	1
45	00650050	Pin	1
46	00650058	"O"-Ring 2-010 (Parker)	1
47	00650012	Bar Mount	1
48	00650024	Saw Bar Nut	1
49	00650022	Metering Screw	1
50	00650107	Saw Bar (12")	1
	00650103	Saw Bar (14")	1
51	00650106	Saw Chain (12")	1
	00650102	Saw Chain (14")	
52	00650014	Bar Support	1
53	00650025	Adjustin Nut	1
54	00650059	Tension Screw 1/4"NC x 2"	1
55	00650026	Cover	1
56	00650060	Screw 5/16"NC x 1-1/4"	2
57	00650062	Screw 1/4"NC x 3/8"	1
58	00650063	Screw 1/4"NC x 1-1/4"	2
59	00650201	Decal: "Safety First"	1
60	00650203	Decal: "Important"	1
61	00650205	Decal: "Inspected OK"	1
62	00650200	Decal: "ADI Tools"	2
63	00650204	Decal: "Warning"	1

Model ACS

Part List (continue) Trigger Glove Version

NO.	PART NUMBER	DESCRIPTION	QTY.
64	00644151	Extension Tube M16x 1-1/2	2
65	00644150	Handle	1
66	00644156	Trigger guard	1
67	00644160	Trigger	1
68	00644166	Hand guard	1
69	00644162	Handle	1
70	00644161	Spacer	2
71	00650086	Lock Nut 3/16"NC	1
72	00640204	Bolt 3/16"NC x 3/8	6
73	00644204	Bolt Allen 3/16"NC x 1-1/2"	1